

## MODEL 260 2 GALLON SKYDROL or HyJet IV DISPENSER

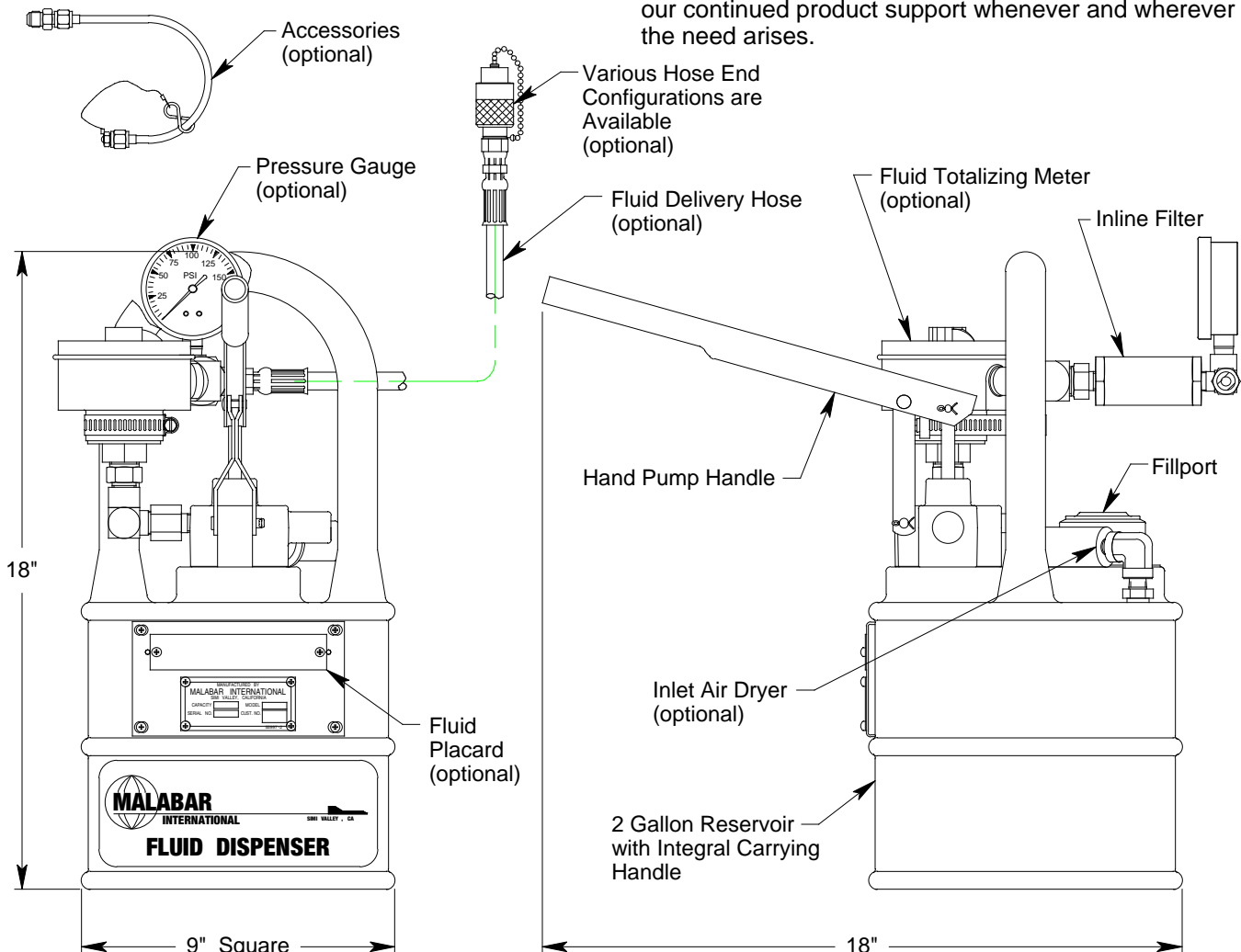
### DISPENSER INCLUDES:

- Durable, Lightweight and Portable 2 gallon capacity Reservoir with integral Carrying Handle made from specially formulated "HS" Crosslinked Polyethylene material that is impervious to petroleum based fluids, hydraulic fluids, UV, solvents and cleaning solutions. "HS" units maintain a very high impact strength even at sub-zero temperatures and are available in several colorfast colors for easy identification of proper fluid type
- Manual Hand Pump and Inline Filter to dispense clean filtered aircraft fluids into aircraft systems
- Large Fillport
- 1 Year Warranty
- Fully Enclosed shipping container

### STANDARD OPTIONS:

- "HS" Polyethylene colorfast colors or polished stainless steel fluid tanks
- 3 micron absolute Filter
- Mechanical Fluid Totalizing Meters
- Discharge Pressure Gauges
- Lockable Fillport / Inlet Air Dryer
- Various Phosphate Ester Fluid Placards are available to ensure compliance with customer and aircraft manufacturer's line maintenance requirements
- Standard and special Hose End Fittings and Couplings
- Delivery Hose compatible with dispensed fluid
- Accessories and Repair Kits

Model 260 is built to withstand harsh environmental conditions, rugged use and to provide many years of continuous service. Our customers are guaranteed a quality product with each purchase and are assured of our continued product support whenever and wherever the need arises.



# MODEL 260

## 2 GALLON SKYDROL or HyJet IV DISPENSER

SPECIFICATIONS	
Fluid Type:	Skydrol or HyJet IV
Fluid Capacity:	2 Gallon (7.6 liters)
Unit Displacement per Stroke:	2.5 cu. in. (41 cc)
Maximum Pump Outlet Pressure:	100 psig (7 kg/sq cm)
Standard Hose Length:	84 inches (2134 mm)
Standard Filter Rating:	2-3 micron nominal
Net Weight "HS" Tank:	12 lbs (5.4 kg)
Net Weight Stainless Steel Tank:	18 lbs (8.2 kg)

MODEL 260 AIRCRAFT APPLICATIONS	
Skydrol or HyJet IV Fluid for Aircraft Hydraulic Systems	

### ORDERING CODE: 260P - 01 - 1 - 0 - 1 - 01 - 0 - 0 - A

#### FLUID TANK CONFIGURATION:

**260P:** Polyethylene, Purple  
**260S:** Stainless Steel, Polished

#### FLUID DESIGNATION & PLACARD:

**00:** No Fluid Placard  
**01:** Skydrol 500  
**02:** Phosphate Ester Hydraulic Fluid  
**03:** Skydrol / HyJet IV Fluid  
**04:** HyJet IV Fluid  
**05:** Skydrol LD4  
**XX:** Other (contact Malabar Sales)

#### FILTER TYPE:

**1:** Standard Filter  
**2:** 3 Micron Absolute Filter

#### FLUID TOTALIZING METER:

**0:** No Fluid Meter  
**1:** Mechanical Meter, quarts & pints  
**2:** Mechanical Meter, liters  
**3:** Discontinued

#### DELIVERY HOSE:

**0:** No Delivery Hose  
**1:** Standard Hose, 84" (7 ft) long  
**2:** Special Hose, 120" (10 ft) long  
**3:** Special Hose, 240" (20 ft) long  
**X:** Other (contact Malabar Sales)

#### \*ACCESSORIES:

**A:** 1/4 "U" Tube with B-Nut (PF53681) & Dust Plug  
**B:** Repair Kit  
**XX:** Other (contact Malabar Sales)  
 \*Accessories are supplied as separate line items

#### FILLPORT / INLET AIR DRYER:

**0:** No Locking Port & No Air Dryer  
**1:** Locking Fillport Only  
**2:** Inlet Air Dryer & Non-vented Fillport

#### PRESSURE GAUGE:

**0:** No Pressure Gauge  
**1:** Standard Pressure Gauge  
**2:** Digital Pressure Gauge

#### HOSE END CONFIGURATION:

**01:** 9/16-18 UNF 37° Female Swivel  
**02:** 1000-123 Coupling (716-022) & Dust Plug  
**03:** 1000-123 Coupling (716-022) with Swage Sleeve & Dust Plug  
**04:** 9/16-18 UNF 37° Female Swivel with 45° Elbow (PF53686)  
**05:** AE307002-S5-6D Coupling (736-018) with 45° Elbow (PF53686) & Dust Plug  
**06:** AE320516-4 Coupling (736-034) & Dust Plug  
**07:** AE99148E Coupling (736-030) & Dust Plug with 1/4 straight Tube Connector (PF55668)  
**08:** AE015503-S5-8D Coupling (736-036) & Dust Plug  
**09:** AE91367E Coupling (736-093) & Dust Plug  
**10:** AE014503-S5-20D Coupling (736-017) & Dust Plug  
**11:** AQ306503-S5-6D Coupling (736-041) & Dust Plug  
**XX:** Other (contact Malabar Sales)

SHIPPING DATA			
Length inch (mm)	Width inch (mm)	Height inch (mm)	Weight lbs (kg)
12 (305)	12 (305)	25 (635)	29 (13)