

# MODEL 365 5 GALLON SKYDROL OR HyJet IV DISPENSER

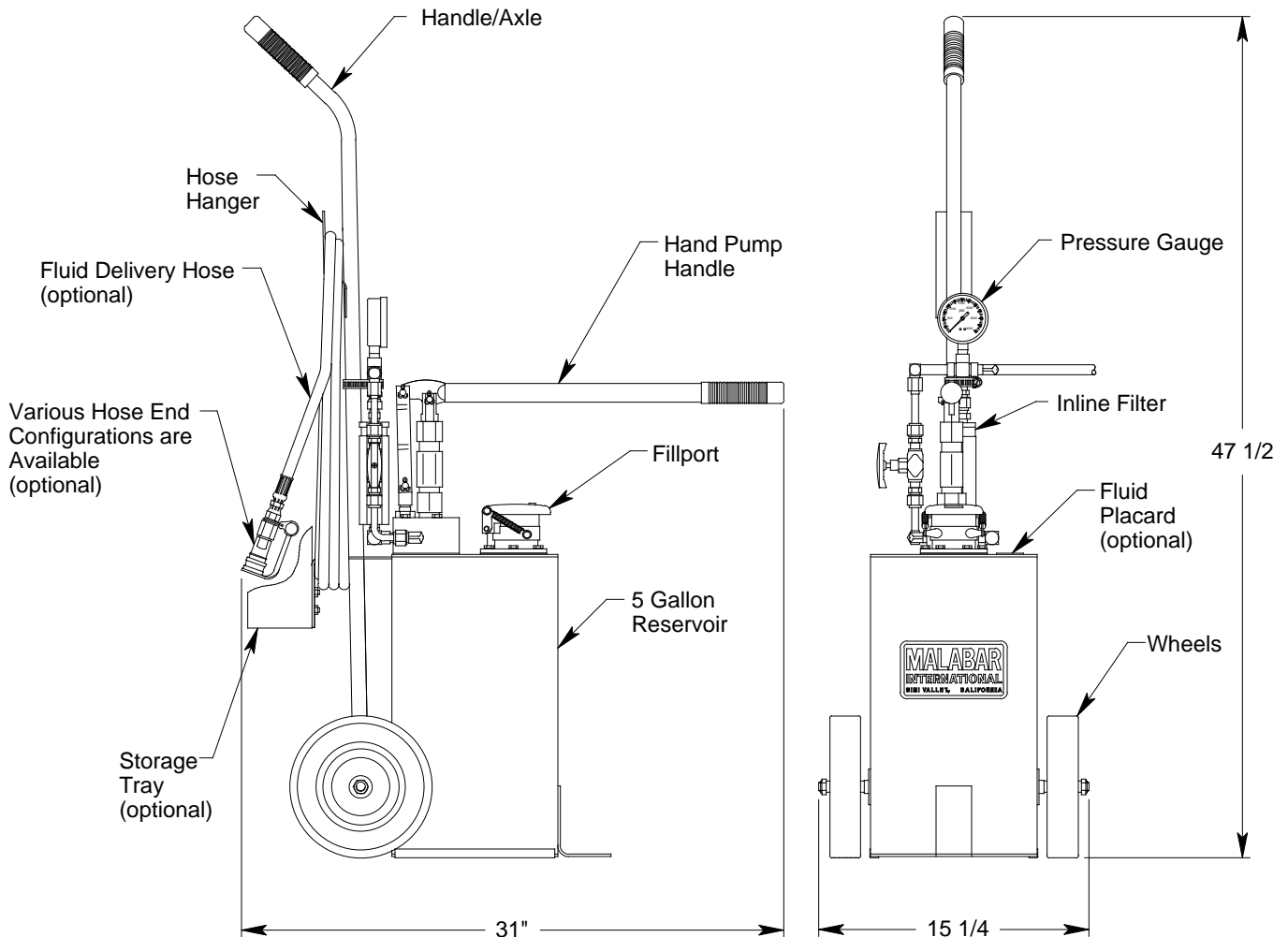
**DISPENSER INCLUDES:**

- Durable, Lightweight and Portable 5 gallon capacity Stainless Steel Reservoir with integral stainless steel Handle / Axle assembly and wheels
- Manual Hand Pump and Inline Filter to dispense clean filtered aircraft fluids into aircraft systems
- Discharge Pressure Gauge
- Large Fillport
- 1 Year Warranty
- Fully Enclosed shipping container

**STANDARD OPTIONS:**

- 3 micron absolute Filter
- Mechanical Fluid Totalizing Meters
- Digital Discharge Pressure Gauge
- Lockable Fillport / Storage Tray
- Various Phosphate Ester Fluid Placards are available to ensure compliance with customer and aircraft manufacturer's line maintenance requirements
- Standard and special Hose End Fittings and Couplings
- Polyurethane Wheels
- Delivery Hose compatible with dispensed fluid
- Accessories and Repair Kits

Model 365 is built to withstand harsh environmental conditions, rugged use and to provide many years of continuous service. Our customers are guaranteed a quality product with each purchase and are assured of our continued product support whenever and wherever the need arises.



# MODEL 365

## 5 GALLON SKYDROL OR HyJet IV DISPENSER

SPECIFICATIONS
Fluid Type: Skydrol or HyJet IV
Fluid Capacity: 5 Gallon (18.9 liters)
Unit Displacement per Stroke: 2.5 cu in (44 cc)
Maximum Pump Outlet Pressure: 2500 psig (176 kg/sq cm)
Standard Hose Length: 240 inches (6096 mm)
Standard Filter Rating: 2-3 micron nominal
Net Weight: 55 lbs (25 kg)

MODEL 365 AIRCRAFT APPLICATIONS
Skydrol or HyJet IV Fluid for Aircraft Hydraulic Systems

**ORDERING CODE: 365S -01 -1 -1 -01 -1 -0 -1 -A**

<p><b>FLUID TANK CONFIGURATION:</b> <input type="checkbox"/></p> <p><b>365S:</b> Stainless Steel, Polished</p> <p><b>FLUID DESIGNATION &amp; PLACARD:</b> <input type="checkbox"/></p> <p><b>00:</b> No Fluid Placard  <b>01:</b> Skydrol 500  <b>02:</b> HyJet IV Fluid  <b>XX:</b> Other (contact Malabar Sales)</p> <p><b>FILTER TYPE:</b> <input type="checkbox"/></p> <p><b>1:</b> Standard Filter  <b>2:</b> 3 Micron Absolute Filter</p> <p><b>DELIVERY HOSE:</b> <input type="checkbox"/></p> <p><b>0:</b> No Delivery Hose  <b>1:</b> Standard Hose, 240" (20 ft) long  <b>X:</b> Other (contact Malabar Sales)</p>		<p><b>*ACCESSORIES:</b></p> <p><b>A:</b> Repair Kit  <b>XX:</b> Other (contact Malabar Sales)</p> <p>*Accessories are supplied as separate line items</p> <p><b>WHEELS:</b></p> <p><b>1:</b> Standard Rubber Wheels  <b>2:</b> Polyurethane Wheels</p> <p><b>FILLPORT / STORAGE TRAY:</b></p> <p><b>0:</b> No Locking Fillport &amp; No Storage Tray  <b>1:</b> Locking Fillport Only  <b>2:</b> Storage Tray Only  <b>3:</b> Storage Tray &amp; Locking Fillport</p> <p><b>PRESSURE GAUGE:</b></p> <p><b>1:</b> Standard Pressure Gauge  <b>2:</b> Digital Pressure Gauge</p> <p><b>HOSE END CONFIGURATION:</b></p> <p><b>01:</b> 7/16-20 UNF 37° Female Swivel  <b>02:</b> Bleed Valve Adapter (PF55292) &amp; Dust Plug  <b>XX:</b> Other (contact Malabar Sales)</p>
--	--	--

SHIPPING DATA			
Length inch (mm)	Width inch (mm)	Height inch (mm)	Weight lbs (kg)
22 (559)	17 (432)	49 (1244)	62 (28)