

# MODEL 465 15 GALLON SKYDROL or HyJet IV DISPENSER

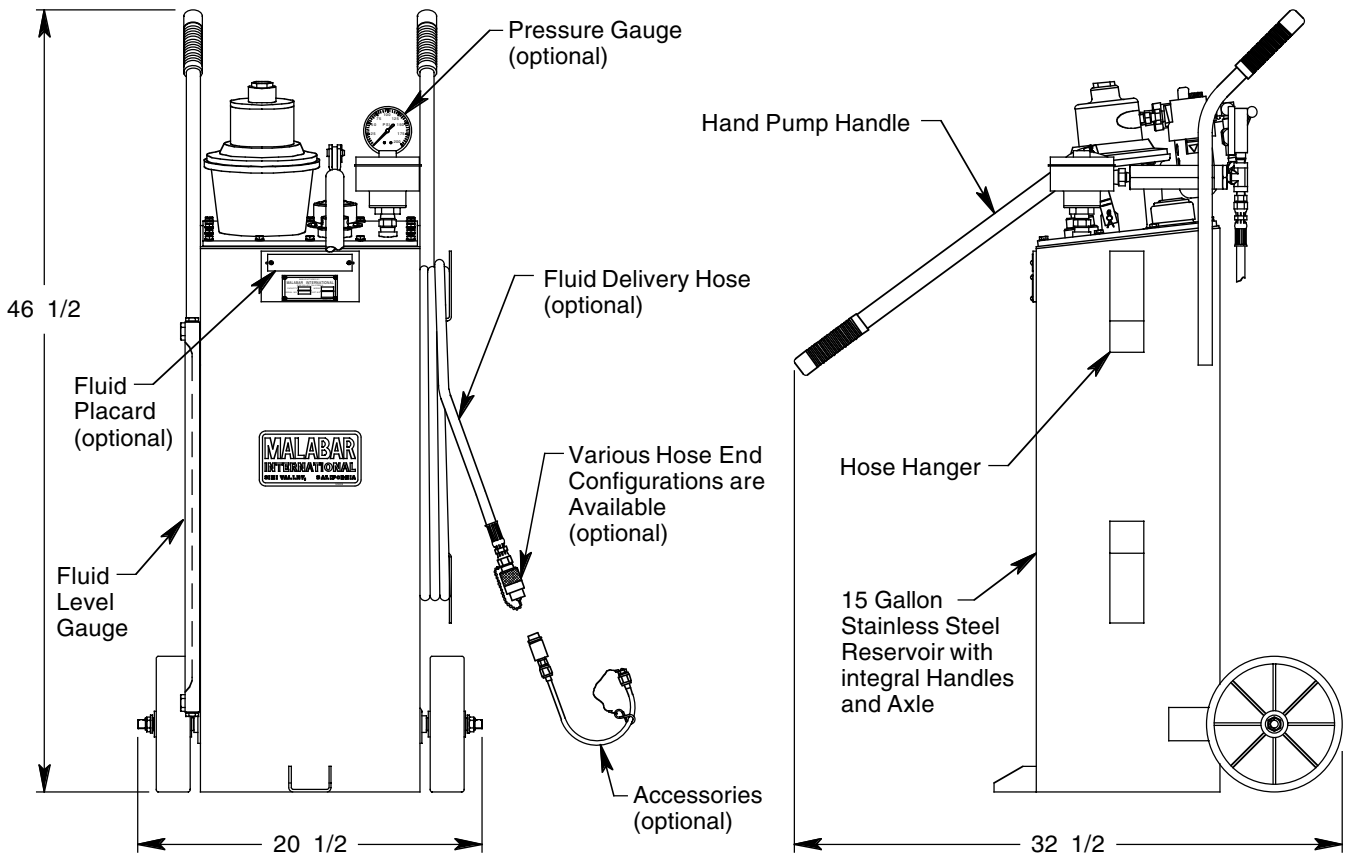
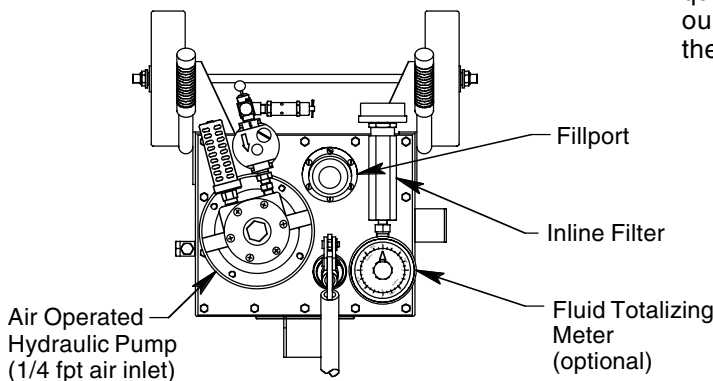
**DISPENSER INCLUDES:**

- Durable, Lightweight and Portable 15 gallon capacity Stainless Steel Reservoir with integral Handles and Axle with polyurethane Wheels
- Air Operated Hydraulic Pump, Manual Hand Pump and Inline Filter to dispense clean filtered aircraft fluids into aircraft systems
- Fluid Level Gauge
- Large Fillport
- 1 Year Warranty
- Fully Enclosed shipping container

**STANDARD OPTIONS:**

- 3 micron absolute Filter
- Discharge Pressure Gauge
- Lockable Fillport
- Mechanical Fluid Totalizing Meters
- Standard and special Hose End Fittings and Couplings
- Delivery Hose compatible with dispensed fluid
- Accessories and Repair Kits

Model 465 is built to withstand harsh environmental conditions, rugged use and to provide many years of continuous service. Our customers are guaranteed a quality product with each purchase and are assured of our continued product support whenever and wherever the need arises.



See Reverse Side for Specifications, Options & Shipping Data

# MODEL 465

## 15 GALLON SKYDROL or HyJet IV DISPENSER

### SPECIFICATIONS

Fluid Type: Skydrol or HyJet IV  
 Fluid Capacity: 15 Gallon (56.8 liters)  
 Hand Pump Displacement per Stroke: 4.0 cu. in. (66 cc)  
 Maximum Air Operated Pump Flow: 4.5 gpm (17.0 liters)  
 Maximum Pump Outlet Pressure: 100 psig (7 kg/sq cm)  
 Standard Hose Length: 120 inches (3048 mm)  
 Standard Filter Rating: 2-3 micron nominal  
 Net Weight: 105 lbs (47.6 kg)

### MODEL 465 AIRCRAFT APPLICATIONS

Skydrol or HyJet IV Fluid for Aircraft Hydraulic Systems

### ORDERING CODE: 465S - 01 - 1 - 0 - 1 - 01 - 0 - 0 - A

#### FLUID TANK CONFIGURATION:

**465S:** Stainless Steel, Polished

#### FLUID DESIGNATION & PLACARD:

**00:** No Fluid Placard  
**01:** Skydrol 500  
**02:** Phosphate Ester Hydraulic Fluid  
**03:** BMS 3-11  
**04:** Skydrol / HyJet IV Fluid  
**05:** HyJet IV Fluid  
**06:** Skydrol LD4  
**07:** Fire Resistant Hydraulic Fluid  
**XX:** Other (contact Malabar Sales)

#### FILTER TYPE:

**1:** Standard Filter  
**2:** 3 Micron Absolute Filter

#### FLUID TOTALIZING METER:

**0:** No Fluid Meter  
**1:** Mechanical Meter, quarts & pints  
**2:** Mechanical Meter, liters

#### DELIVERY HOSE:

**0:** No Delivery Hose  
**1:** Standard Hose, 120" (10 ft) long  
**2:** Special Hose, 240" (20 ft) long  
**X:** Other (contact Malabar Sales)

#### \*ACCESSORIES:

**A:** Repair Kit  
**XX:** Other (contact Malabar Sales)  
 \*Accessories are supplied as separate line items

#### FILLPORT:

**0:** No Locking Fillport  
**1:** Locking Fillport

#### PRESSURE GAUGE:

**0:** No Pressure Gauge  
**1:** Standard Pressure Gauge

#### HOSE END CONFIGURATION:

**01:** 9/16-18 UNF 37° Female Swivel  
**02:** 1000-123 Coupling (716-022) & Dust Plug  
**03:** 1000-123 (716-022) w/ Swage Sleeve & Dust Plug  
**04:** 9/16-18 UNF 37° Female Swivel with 45° Elbow (PF53686)  
**05:** AE307002-S5-6D Coupling (736-018) with 45° Elbow (PF53686) & Dust Plug  
**06:** AE320516-4 Coupling (736-034) & Dust Plug  
**07:** AE99148E Coupling (736-030) & Dust Plug with 1/4 straight tube connector (PF55668)  
**08:** AE015503-S5-8D Coupling (736-036) & Dust Plug  
**09:** AE91367E Coupling (736-093) & Dust Plug  
**10:** AE014503-S5-20D Coupling (736-017) & Dust Plug  
**XX:** Other (contact Malabar Sales)

### SHIPPING DATA

NOTE: Unless otherwise specified, Model 465 is shipped on a wood skid with an enclosed cover.

Length inch (mm)	Width inch (mm)	Height inch (mm)	Weight lbs (kg)
50 (1270)	27 (686)	29 (737)	280 (127)

**MALABAR International**

Issue: 6/07

PLANT: 220 WEST LOS ANGELES AVENUE, SIMI VALLEY, CALIFORNIA 93065 · (805) 581-0116 · FAX (805) 584-1624  
 MAIL: P.O. BOX 367, SIMI VALLEY, CALIFORNIA 93062 · E-mail: sales@malabar.com · Web site: http://www.malabar.com