

MODEL 8429E

150 TON PORTABLE TRIPOD* JACK TEST FIXTURE

*Optional Accessory base for axle jack testing is available

TEST FIXTURE INCLUDES:

- Rugged steel load bars, pins and test head
- Integral Lift Bar for easy positioning on jack
- 150 Ton capacity Electronic Load Cell
- Portable Read-out (Digital Indicator)
- 50 Foot long cable to connect portable read-out to load cell
- Battery operated with four "D" size batteries
- Easy "zero" and "span" adjustments
- Read-out includes Shunt-cal Feature to verify calibration
- Multiple 3/4 inch (19 mm) male and female spherical radius Adapters and 1 1/4 (32 mm) female spherical radius Adapter
- Storage and Shipping Container with mounting hardware to secure test fixture parts

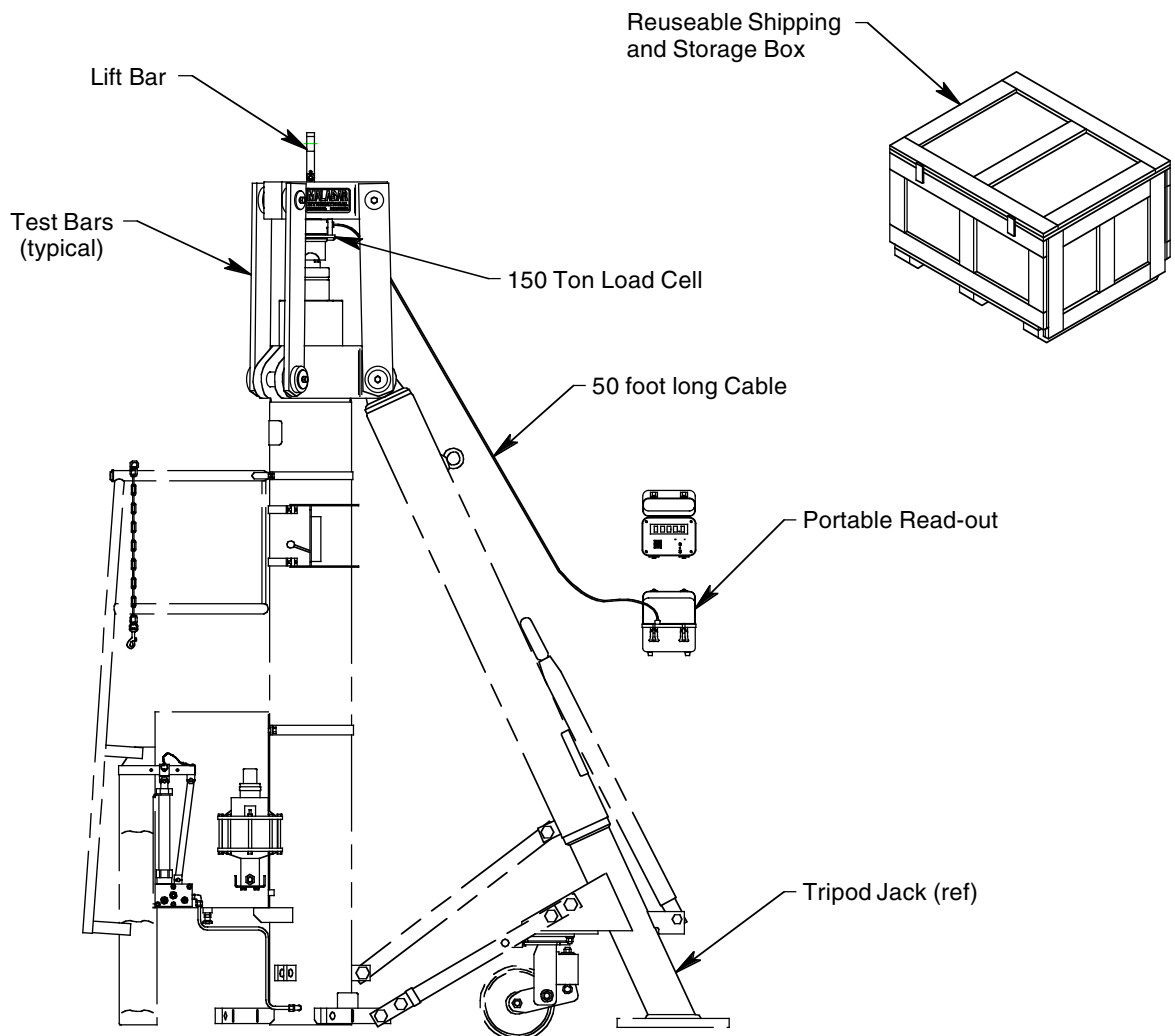
TEST FIXTURE PURPOSE:

- Test jack cylinder for structural integrity
- Test hydraulic system functionality
- Verify relief valve setting/adjustment

SET-UP:

Test Fixture is removed from storage/shipping container with a suitable crane or forklift and installed on tripod jack head.

Model 8429E is built to withstand harsh environmental conditions, rugged use and to provide many years of continuous service. Our customers are guaranteed a quality product with each purchase and are assured of our continued product support whenever and wherever the need arises.



MODEL 8429E

150 TON PORTABLE TRIPOD JACK TEST FIXTURE

SPECIFICATIONS

RATED CAPACITY

Tripod Jack Testing: 150 tons (136.1 m. tons)
 Axle Jack Testing (with optional accessory kit): 100 tons (90.7 m. tons)

8429E STORAGE AND SHIPPING CONTAINER

Length: 37.00 inches (940 mm)
 Width: 30.50 inches (775 mm)
 Height: 24.25 inches (622 mm)
 Approximate Weight: 900 lbs (409 kg)

883300-4 STORAGE AND SHIPPING CONTAINER

Length: 37.00 inches (940 mm)
 Width: 30.50 inches (775 mm)
 Height: 24.25 inches (622 mm)
 Approximate Weight: 900 lbs (409 kg)

MODEL 8429E APPLICATIONS

Model 8429E is suitable for the following Malabar Jacks

Malabar Tripod Jack Models using Standard Test Bars:

703, 711, 712B, 713A, 714A, 714D, 717A, 718A, 725A, 731, 733, 736A, 737, 743, 748A, 749, 749S, 759A, 760, 761, 763, 767A, 768A, 775, 775S, 785, 789, 792, 793, 795, 796, 7120A, 7120B, 7120C, 7120D, 7225A, 8281A, 8487, 8487A, 8551, 8552, 8704, 8713, 8721, 8722, 8730, 8731, 8756, 8761, 8769, 8802, 8803, 8810, 8811, 8823, 8826, 8841, 8863, 8864, 8865

Malabar Two Stage Tripod Jack Models using Optional Test Bar Kits:

Test Bar Kit P/N 842950: 7210B, 7210R, 7210S, 7210-S1
 Test Bar Kit P/N 842951: 8760, 8864
 Test Bar Kit P/N 842952: 8863
 Test Bar Kit P/N 842953: 8865

Axle Jack Models using Optional Jack Accessory Kit:

Jack Accessory Kit P/N 883300-4: Virtually all mobile and hand carry type aircraft axle jacks up to 100 ton capacity

TEST FIXTURE ACCESSORIES:

842950: Test Bar Kit 842953: Test Bar Kit
 842951: Test Bar Kit 883300-4: Axle Jack Accessory Kit
 842952: Test Bar Kit

SHIPPING DATA

NOTE: Unless otherwise specified all equipment is shipped in an enclosed storage and shipping box.

| Description | Length inch (mm) | Width inch (mm) | Height inch (mm) | Weight lbs (kg) |
|-------------|---------------------|--------------------|---------------------|--------------------|
| 8429E | 37 (940) | 30.5 (775) | 24.25 (622) | 900 (409) |
| 842950 | 35 (889) | 21 (534) | 9 (229) | 170 (78) |
| 842951 | 69 (1753) | 30 (762) | 9 (229) | 460 (210) |
| 842952 | 110 (2794) | 30 (762) | 9 (229) | 760 (346) |
| 842953 | 85 (2159) | 30 (762) | 9 (229) | 600 (272) |
| 883300-4 | 37 (940) | 30.5 (775) | 24.25 (622) | 900 (409) |