

MODEL 8833 100 TON UNIVERSAL AXLE JACK TEST STAND

TEST STAND INCLUDES:

- Rugged steel base, load bars and head
- Integral Lift Bar for easy transportability
- 100 Ton capacity Electronic Load Cell
- Portable Read-out (Digital Indicator)
- 10 Foot long cable to connect portable read-out to load cell
- Battery operated with four standard "D" size batteries
- Easy "zero" and "span" adjustments
- Read-out includes Shunt-cal feature to verify calibration
- Multiple 3/4 inch and 1/2 inch (19 and 12.7 mm) spherical radius jack adapters

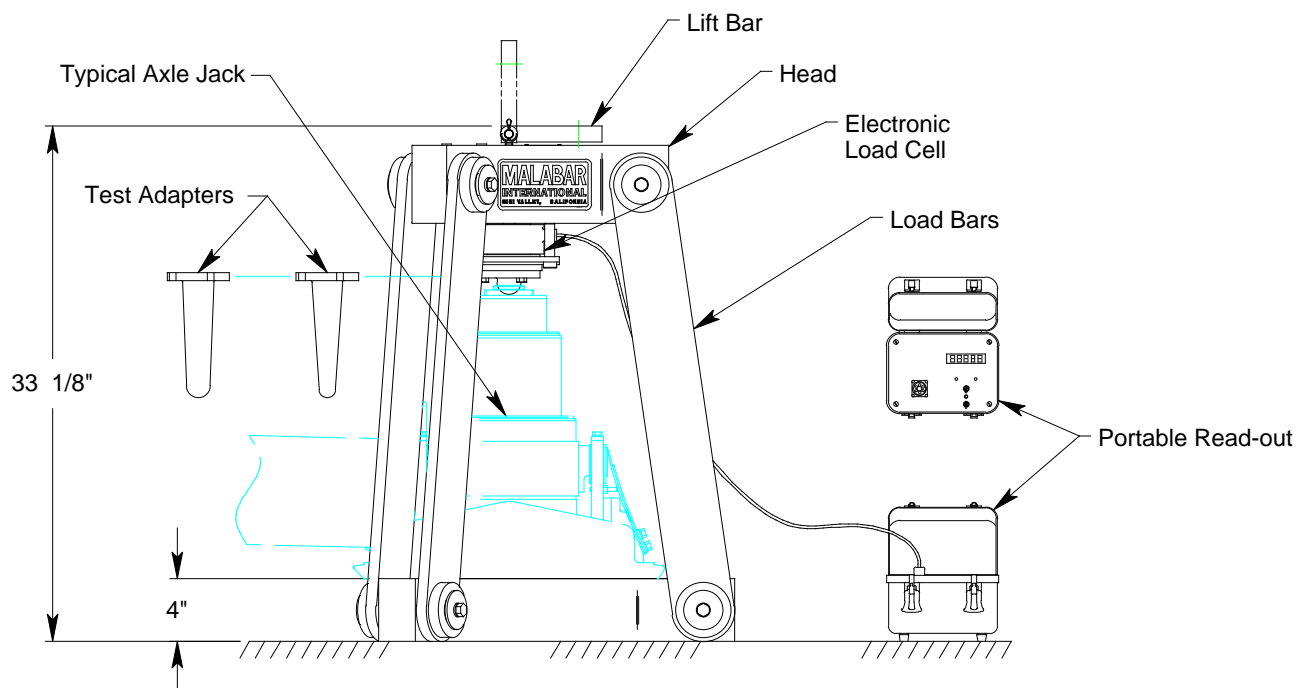
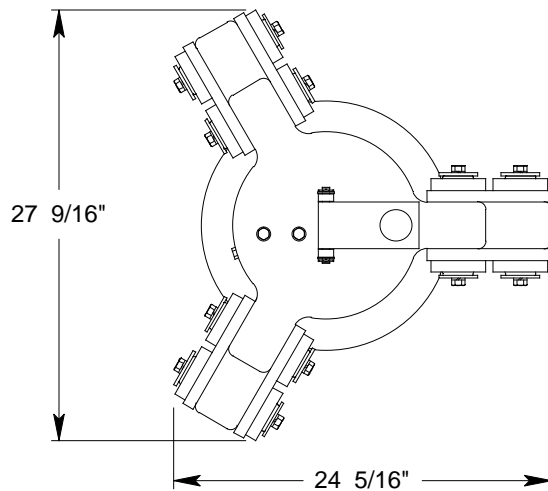
TEST STAND PURPOSE:

- Test jack cylinder for structural integrity
- Test hydraulic system functionality
- Verify Relief Valve setting/adjustment

INSTALLATION:

Test stand may be installed in ground with base flush with floor or above ground which requires a 4 inch (102 mm) high ramp

Model 8833 is built to withstand harsh environmental conditions, rugged use and to provide many years of continuous service. Our customers are guaranteed a quality product with each purchase and are assured of our continued product support whenever and wherever the need arises.



See Reverse Side for Specifications, Options, Aircraft Applications & Shipping Data

MODEL 8833

100 TON UNIVERSAL AXLE JACK TEST STAND

SPECIFICATIONS

Rated Capacity: 100 tons (90.7 m. tons)
 Roll Under Height with Standard Adapter: 18.38 inches (467 mm)
 Roll Under Height with Extended Adapter: 11.88 inches (302 mm)
 Standard Jack Adapter Spherical Radius: 3/4 inch (19 mm)
 Extended Jack Adapter Spherical Radius: 3/4 inch & 1/2 inch (19 & 12.7 mm)
 Test Stand Length: 24.31 inches (618 mm)
 Test Stand Width: 27.56 inches (700 mm)
 Test Stand Height: 33.12 inches (841 mm)
 Approximate Net Weight: 775 lbs (352 kg)



MODEL 8833 TYPICAL APPLICATIONS

Virtually all mobile and hand carry type aircraft axle jacks

JACK ACCESSORIES: (Order separately)

8833EPK: Repair Kit

PACKAGING CODES & OPTIONS: (Specify at time of order)

— : Domestic Skid

EC: Export Crate (Additional Cost)

SHIPPING DATA

NOTE: Unless otherwise specified, Model 8833 is shipped on a wood skid.

Packaging Code	Length inch (mm)	Width inch (mm)	Height inch (mm)	Weight lbs (kg)
—	30 (762)	30 (762)	38 (965)	850 (386)
EC	32 (813)	35 (889)	41 (1041)	1000 (454)

MALABAR International

Issue: 10/04

PLANT: 220 WEST LOS ANGELES AVENUE, SIMI VALLEY, CALIFORNIA 93065 • (805) 581-0116 • FAX (805) 584-1624
 MAIL: P.O. BOX 367, SIMI VALLEY, CALIFORNIA 93062 • E-mail: sales@malabar.com • Web site: http://www.malabar.com