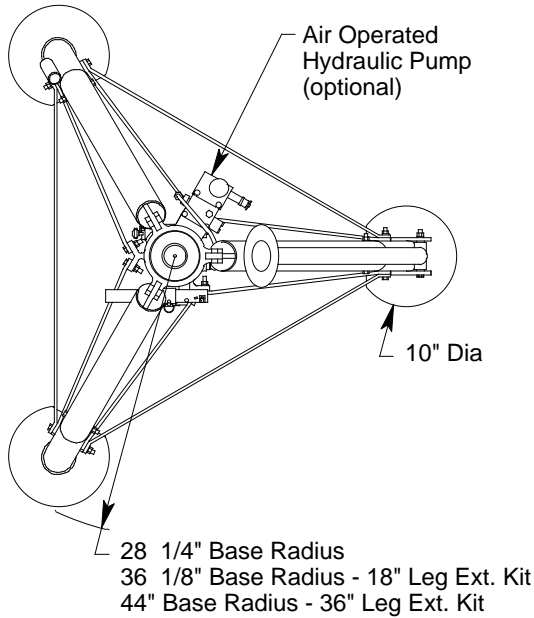


MODEL 712B 12 TON VARIABLE HEIGHT TRIPOD JACK



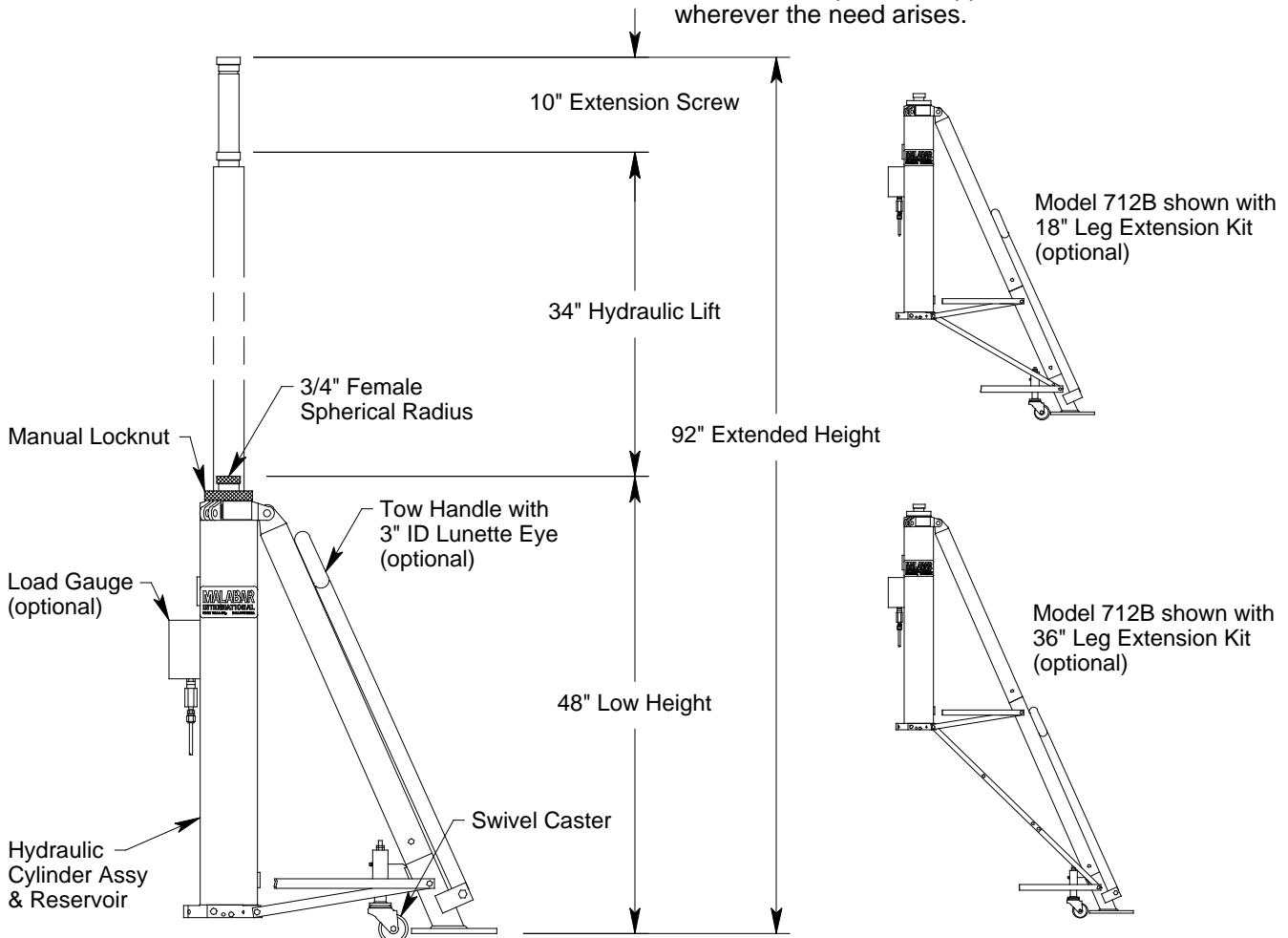
JACK INCLUDES:

- Manual Hand Pump with high, medium and low pressure operating positions
- Heavy Duty Swivel Casters
- Rain Hat (covers jack upper head)
- Hard Chrome Plated Cylinder Bore
- All unpainted parts are plated to resist corrosion
- Skydrol Resistant Paint (safety yellow)
- Factory Proof Load @ 150% of rated capacity
- 3 Year Warranty
- Shipping Skid

STANDARD OPTIONS:

- Air Operated Hydraulic Pump
- Load Gauge for load indication (reads tons/psig)
- Tow Handle for ease of towing
- 18 inch Leg Extension Kit
- 36 inch Leg Extension Kit

Model 712B is built to withstand harsh environmental conditions, rugged use and to provide many years of continuous service. Our customers are guaranteed a quality product with each purchase and are assured of our continued product support whenever and wherever the need arises.



See Reverse Side for Specifications, Options, Aircraft Applications & Shipping Data

MODEL 712B

12 TON VARIABLE HEIGHT TRIPOD JACK

SPECIFICATIONS

Rated Capacity: 12 tons (10.9 m. tons)
 Side Load: 15% of vertical load
 Roll Under Height: add 1 inch (25 mm) to low heights
 Low Height: 48 inches (1219 mm)
 Low Height with 18" Leg Extension Kit: 66 inches (1676 mm)
 Low Height with 36" Leg Extension Kit: 84 inches (2134 mm)
 Hydraulic Lift: 34 inches (864 mm)
 Extension Screw: 10 inches (254 mm)
 Total Extended Height: 92 inches (2337 mm)
 Total Extended Height with 18" Leg Extension Kit: 110 inches (2794 mm)
 Total Extended Height with 36" Leg Extension Kit: 128 inches (3251 mm)
 Oil Pressure at Rated Capacity: 2470 psig (174 kg/sq cm)
 Safety Pop-off Valve set at: 13.2 tons (12.0 m. tons)
 Proof Load: 18 tons (16.3 m. tons)
 Reservoir Capacity: 2 gallons (7.6 liters)
 Hydraulic Fluid: MIL-H-5606 or equivalent
 Maximum Towing Speed: 5 mph (8 km/h)
 Approximate Jack Net Weight: 550 lbs (249 kg)

MODEL 712B TYPICAL AIRCRAFT APPLICATIONS

Jack Configuration	Forward Fuselage	Wing	Wing Tip	Aft Fuselage
712B	F28, Gulfstream Metro, Merlin	Metro, Merlin	BAC 1-11	BAC 1-11, D228
712B with 18" Leg Ext. Kit	B707, B720			
712B with 36" Leg Ext. Kit				

OPTIONAL EQUIPMENT CODES: (Specify at time of order)

AP: Air Operated Hydraulic Pump 36LE: 36" Leg Extension Kit
 GA: Load Gauge SPC: Special Paint Color (yellow is standard)
 TH: Tow Handle 712BPK: Repair Kit
 18LE: 18" Leg Extension Kit

PACKAGING CODES & OPTIONS: (Specify at time of order)

— : Domestic Skid - Jack Set-up
 KD: Domestic Skid - Jack Knocked Down (Additional Cost)
 EC: Export Crate - Jack Set-up (Additional Cost)
 ECKD: Export Crate - Jack Knocked Down (Additional Cost)

SHIPPING DATA

NOTE: Unless otherwise specified, Model 712B jack is shipped on a wood skid in the set-up condition. Refer to Malabar Tripod Jack Shipping Supplement for additional packaging information.

Packaging Code	Length inch (mm)	Width inch (mm)	Height inch (mm)	Weight lbs (kg)
—	57 (1448)	48 (1219)	55 (1397)	700 (318)
KD	62 (1575)	40 (1016)	28 (711)	700 (318)
EC	59 (1499)	53 (1346)	58 (1473)	900 (408)
ECKD	64 (1626)	45 (1143)	31 (787)	850 (386)

MALABAR International

Issue: 3/99

PLANT: 220 WEST LOS ANGELES AVENUE, SIMI VALLEY, CALIFORNIA 93065 • (805) 581-0116 • FAX (805) 584-1624
 MAIL: P.O. BOX 367, SIMI VALLEY, CALIFORNIA 93062 • E-mail: sales@malabar.com • Web site: http://www.malabar.com