

MODEL 761 60 TON VARIABLE HEIGHT TRIPOD JACK

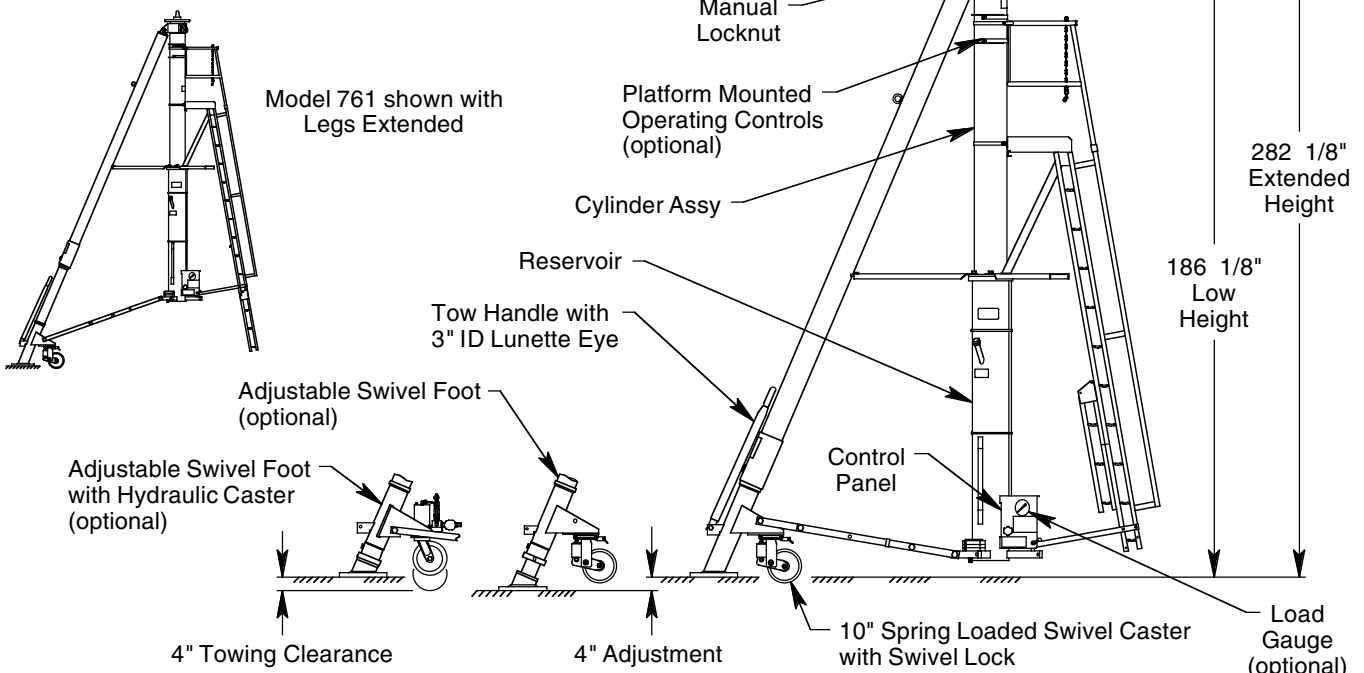
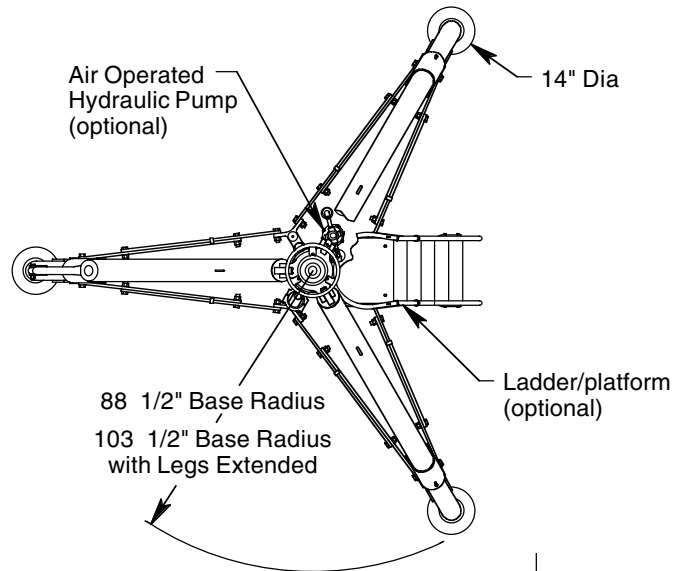
JACK INCLUDES:

- Manual Hand Pump with high, medium and low pressure operating positions
- Heavy Duty Tow Handle and Swivel Casters with Swivel Locks for improved towing
- Hydraulic "Thermal" Relief Valve for added protection and safety in the event of internal fluid expansion due to temperature
- Secondary Cylinder Seal for protection against contaminants and to prolong life of primary seal
- Rain Hat (covers jack upper head)
- Hard Chrome Plated Cylinder Bore
- All unpainted parts are plated to resist corrosion
- Skydrol Resistant Paint (safety yellow)
- Factory Proof Load @ 150% of rated capacity
- 3 Year Warranty
- Shipping Skid

STANDARD OPTIONS:

- Air Operated Hydraulic Pump
- Load Gauge for load indication (reads tons/psig)
- Adjustable Swivel Feet with Level for leveling jack
- Hydraulic Operated Casters provide ease in jack leveling and increased ground clearance for towing
- Platform Mounted Operating Controls allow one person to position locknut while controlling lifting and lowering operations
- Ladder/platform

Model 761 is built to withstand harsh environmental conditions, rugged use and to provide many years of continuous service. Our customers are guaranteed a quality product with each purchase and are assured of our continued product support whenever and wherever the need arises.



See Reverse Side for Specifications, Options, Aircraft Applications & Shipping Data

MODEL 761

60 TON VARIABLE HEIGHT TRIPOD JACK

SPECIFICATIONS

Rated Capacity: 60 tons (54.5 m. tons)
 Side Load: 15% of vertical load
 Roll Under Height: add 1.5 inches (38 mm) to low heights
 Low Height: 186.1 inches (4727 mm)
 Low Height with Legs Extended: 221.6 inches (5629 mm)
 Hydraulic Lift: 72 inches (1829 mm)
 Extension Screw: 24 inches (610 mm)
 Total Extended Height: 282.1 inches (7165 mm)
 Total Extended Height with Legs Extended: 317.6 inches (8067 mm)
 Oil Pressure at Rated Capacity: 2430 psig (171 kg/sq cm)
 Safety Pop-off Valves
 System Relief Valve set at: 66 tons (59.9 m. tons)
 Thermal Relief Valve set at: 75 tons (68.0 m. tons)
 Proof Load: 90 tons (81.6 m. tons)
 Reservoir Capacity: 20.6 gallons (78.0 liters)
 Hydraulic Fluid: MIL-H-5606 or equivalent
 Maximum Towing Speed: 5 mph (8 km/h)
 Approximate Jack Net Weight: 4400 lbs (1996 kg)

MODEL 761 TYPICAL AIRCRAFT APPLICATIONS

Jack Configuration	Aft Fuselage
761	B747SP, B777*
761 with Legs Extended	B747
*Use 1 1/4" Male Spherical Radius Ship Adapter for this application	

OPTIONAL EQUIPMENT CODES: (Specify at time of order)

AP: Air Operated Hydraulic Pump
 GA: Load Gauge
 AF: Adjustable Swivel Foot
 HC: Adjustable Swivel Foot with Hydraulic Caster
 SA: Shock Absorber (requires hydraulic caster)
 LA: Ladder/platform
 RC: Platform Mounted Operating Controls
 SPC: Special Paint Color (yellow is standard)
 761PK: Repair Kit

PACKAGING CODES & OPTIONS: (Specify at time of order)

KD: Domestic Skid - Jack Knocked Down
 ECKD: Export Crate - Jack Knocked Down (Additional Cost)

SHIPPING DATA

NOTE: Unless otherwise specified, Model 761 jack is shipped on a wood skid in the knocked down condition. Refer to Malabar Tripod Jack Shipping Supplement for additional packaging information.

Packaging Code	Length inch (mm)	Width inch (mm)	Height inch (mm)	Weight lbs (kg)	Total Weight lbs (kg)
KD (leg skid) (cylinder skid)	200 (5080)	40 (1016)	38 (965)	2100 (953)	4800 (2177)
	156 (3962)	40 (1016)	40 (1016)	2700 (1225)	
ECKD (leg crate) (cylinder crate)	202 (5131)	45 (1143)	41 (1041)	2400 (1089)	5400 (2449)
	158 (4013)	45 (1143)	43 (1092)	3000 (1361)	

MALABAR International

Issue: 10/08

PLANT: 220 WEST LOS ANGELES AVENUE, SIMI VALLEY, CALIFORNIA 93065 • (805) 581-0116 • FAX (805) 584-1624
 MAIL: P.O. BOX 367, SIMI VALLEY, CALIFORNIA 93062 • E-mail: sales@malabar.com • Web site: http://www.malabar.com