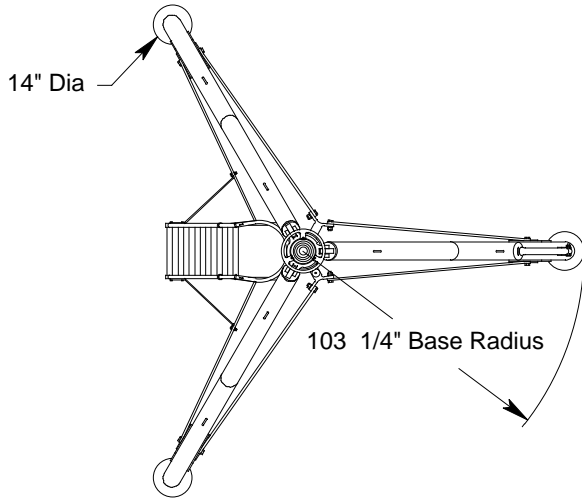


**MODEL 763**  
**60 TON FIXED HEIGHT TRIPOD JACK**



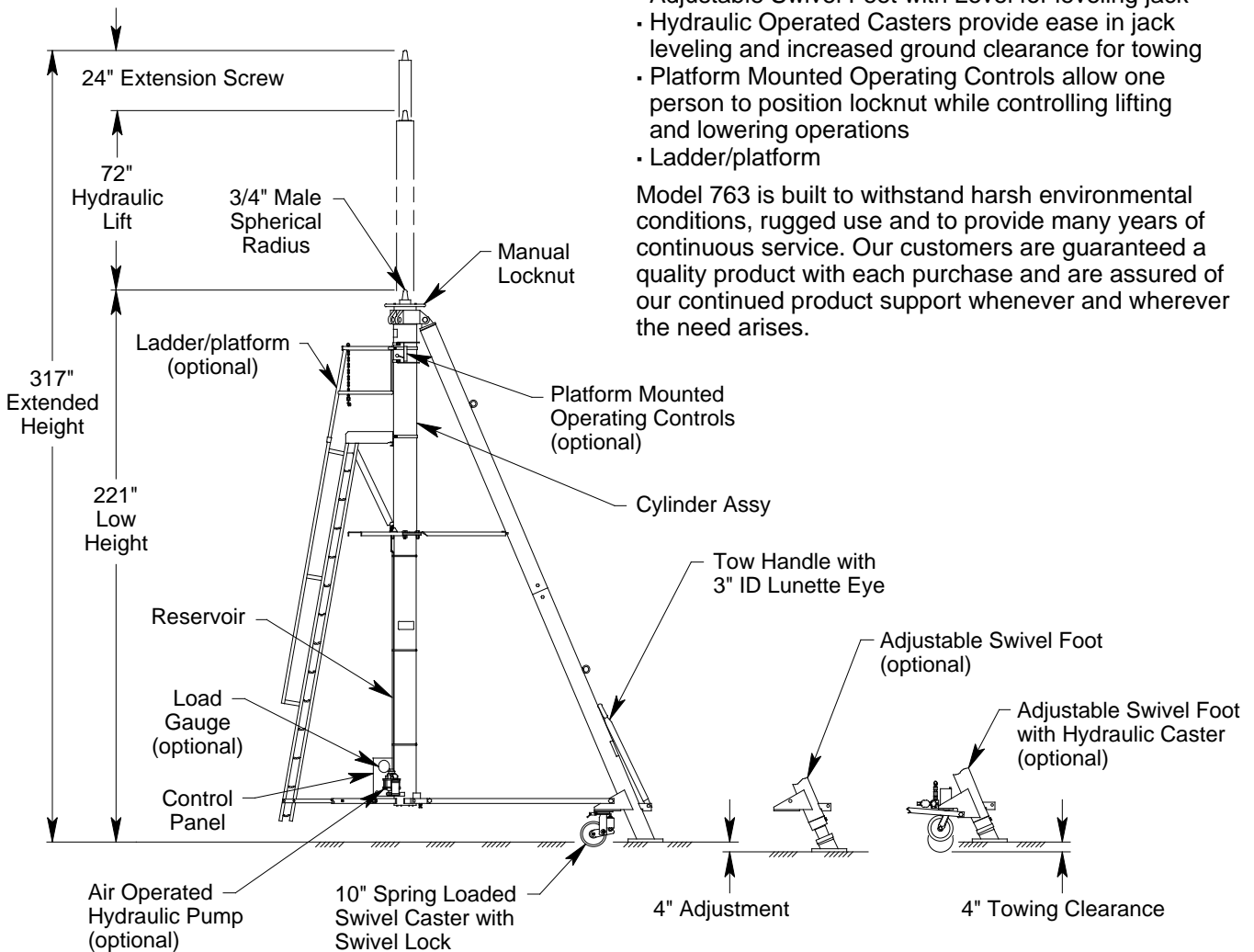
**JACK INCLUDES:**

- Manual Hand Pump with high, medium and low pressure operating positions
- Heavy Duty Tow Handle and Swivel Casters with Swivel Locks for improved towing
- Hydraulic "Thermal" Relief Valve for added protection and safety in the event of internal fluid expansion due to temperature
- Secondary Cylinder Seal for protection against contaminants and to prolong life of primary seal
- Rain Hat (covers jack upper head)
- Hard Chrome Plated Cylinder Bore
- All unpainted parts are plated to resist corrosion
- Skydrol Resistant Paint (safety yellow)
- Factory Proof Load @ 150% of rated capacity
- 3 Year Warranty
- Shipping Skid

**STANDARD OPTIONS:**

- Air Operated Hydraulic Pump
- Load Gauge for load indication (reads tons/psig)
- Adjustable Swivel Feet with Level for leveling jack
- Hydraulic Operated Casters provide ease in jack leveling and increased ground clearance for towing
- Platform Mounted Operating Controls allow one person to position locknut while controlling lifting and lowering operations
- Ladder/platform

Model 763 is built to withstand harsh environmental conditions, rugged use and to provide many years of continuous service. Our customers are guaranteed a quality product with each purchase and are assured of our continued product support whenever and wherever the need arises.



# MODEL 763

## 60 TON FIXED HEIGHT TRIPOD JACK

### SPECIFICATIONS

Rated Capacity: 60 tons (54.4 m. tons)  
 Side Load: 15% of vertical load  
 Roll Under Height: 222.5 inches (5652 mm)  
 Low Height: 221 inches (5613 mm)  
 Hydraulic Lift: 72 inches (1829 mm)  
 Extension Screw: 24 inches (610 mm)  
 Total Extended Height: 317 inches (8052 mm)  
 Oil Pressure at Rated Capacity: 2430 psig (171 kg/sq cm)  
 Safety Pop-off Valves  
 System Relief Valve set at: 66 tons (59.9 m. tons)  
 Thermal Relief Valve set at: 75 tons (68.0 m. tons)  
 Proof Load: 90 tons (81.6 m. tons)  
 Reservoir Capacity: 19 gallons (71.9 liters)  
 Hydraulic Fluid: MIL-H-5606 or equivalent  
 Maximum Towing Speed: 5 mph (8 km/h)  
 Approximate Jack Net Weight: 4400 lbs (1996 kg)

### MODEL 763 TYPICAL AIRCRAFT APPLICATIONS

Aft Fuselage

B747

#### OPTIONAL EQUIPMENT CODES: (Specify at time of order)

AP: Air Operated Hydraulic Pump  
 GA: Load Gauge  
 AF: Adjustable Swivel Foot  
 HC: Adjustable Swivel Foot with Hydraulic Caster  
 SA: Shock Absorber (requires hydraulic caster)  
 LA: Ladder/platform  
 RC: Platform Mounted Operating Controls  
 SPC: Special Paint Color (yellow is standard)  
 763PK: Repair Kit

#### PACKAGING CODES & OPTIONS: (Specify at time of order)

KD: Domestic Skid - Jack Knocked Down  
 ECKD: Export Crate - Jack Knocked Down (Additional Cost)

### SHIPPING DATA

NOTE: Unless otherwise specified, Model 763 jack is shipped on a wood skid in the knocked down condition. Refer to Malabar Tripod Jack Shipping Supplement for additional packaging information.

Packaging Code	Length inch (mm)	Width inch (mm)	Height inch (mm)	Weight lbs (kg)	Total Weight lbs (kg)
KD (leg skid) (cylinder skid)	164 (4166)	40 (1016)	38 (965)	2100 (953)	4800 (2177)
	156 (3962)	40 (1016)	40 (1016)	2700 (1225)	
ECKD (leg crate) (cylinder crate)	166 (4216)	45 (1143)	41 (1041)	2400 (1089)	5400 (2449)
	158 (4013)	45 (1143)	43 (1092)	3000 (1361)	