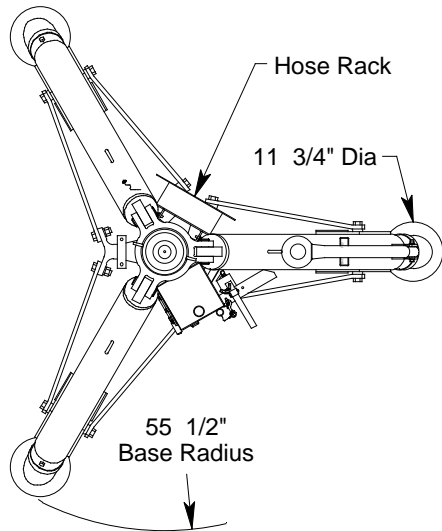


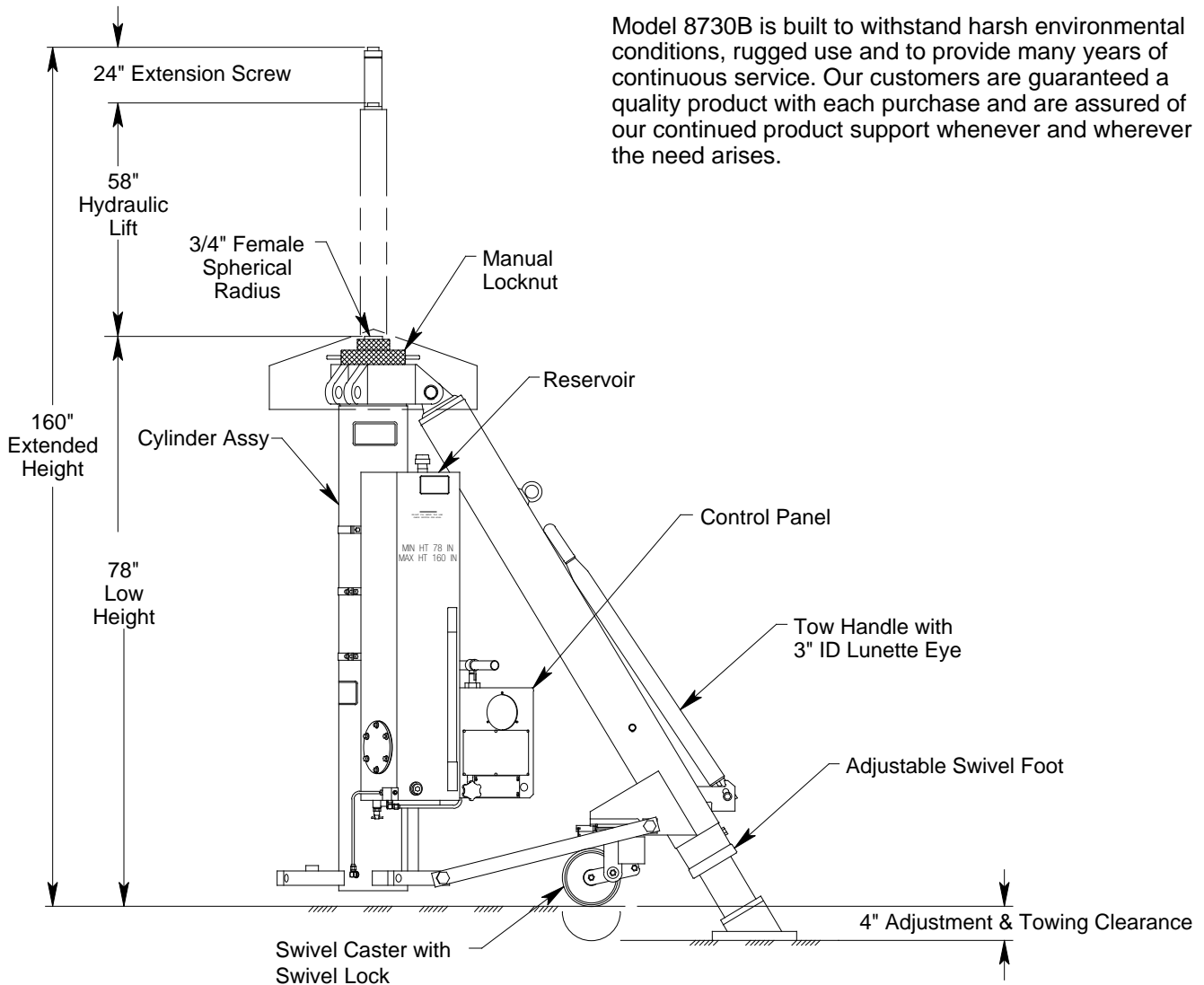
**MODEL 8730B**  
**60 TON FIXED HEIGHT TRIPOD JACK**



**JACK INCLUDES:**

- Manual Hand Pump with high, medium and low pressure operating positions
- Heavy Duty Tow Handle and Swivel Casters with Swivel Locks for improved towing
- Hydraulic "Thermal" Relief Valve for added protection and safety in the event of internal fluid expansion due to temperature
- Adjustable Swivel Feet with Level for leveling jack
- Hose Rack for dual hose storage
- Secondary Cylinder Seal for protection against contaminants and to prolong life of primary seal
- Rain Hat (covers jack upper head)
- Hard Chrome Plated Cylinder Bore
- All unpainted parts are plated to resist corrosion
- Skydrol Resistant Paint (safety yellow)
- Factory Proof Load @ 150% of rated capacity
- 3 Year Warranty
- Shipping Skid

Model 8730B is built to withstand harsh environmental conditions, rugged use and to provide many years of continuous service. Our customers are guaranteed a quality product with each purchase and are assured of our continued product support whenever and wherever the need arises.



# MODEL 8730B

## 60 TON FIXED HEIGHT TRIPOD JACK

### SPECIFICATIONS

Rated Capacity: 60 tons (54.4 m. tons)  
 Side Load: 15% of vertical load  
 Roll Under Height: 79.5 inches (2019 mm)  
 Low Height: 78 inches (1981 mm)  
 Hydraulic Lift: 58 inches (1473 mm)  
 Extension Screw: 24 inches (610 mm)  
 Total Extended Height: 160 inches (4064 mm)  
 Oil Pressure at Rated Capacity: 2365 psig (166 kg/sq cm)  
 Safety Pop-off Valves  
 System Relief Valve set at: 66 tons (59.9 m. tons)  
 Thermal Relief Valve set at: 75 tons (68.0 m. tons)  
 Proof Load: 90 tons (81.6 m. tons)  
 Reservoir Capacity: 15.3 gallons (58.0 liters)  
 Hydraulic Fluid: MIL-H-5606 or equivalent  
 Maximum Towing Speed: 5 mph (8 km/h)  
 Approximate Jack Net Weight: 2000 lbs (907 kg)

### MODEL 8730B TYPICAL AIRCRAFT APPLICATIONS

C17 Forward Fuselage (2 ea), Mid Fuselage (2 ea) & Aft Fuselage (2 ea)

#### OPTIONAL EQUIPMENT CODES: (Specify at time of order)

SPC: Special Paint Color (yellow is standard)  
 8730BPK: Repair Kit

#### PACKAGING CODES & OPTIONS: (Specify at time of order)

— : Domestic Skid - Jack Set-up  
 KD: Domestic Skid - Jack Knocked Down (Additional Cost)  
 ECKD: Export Crate - Jack Knocked Down (Additional Cost)

### SHIPPING DATA

NOTE: Unless otherwise specified, Model 8730B jack is shipped on a wood skid in the set-up condition. Refer to Malabar Tripod Jack Shipping Supplement for additional packaging information.

Packaging Code	Length inch (mm)	Width inch (mm)	Height inch (mm)	Weight lbs (kg)
—	101 (2565)	90 (2286)	85 (2159)	2200 (998)
KD	112 (2845)	40 (1016)	60 (1524)	2200 (998)
ECKD	114 (2896)	45 (1143)	63 (1600)	2600 (1179)