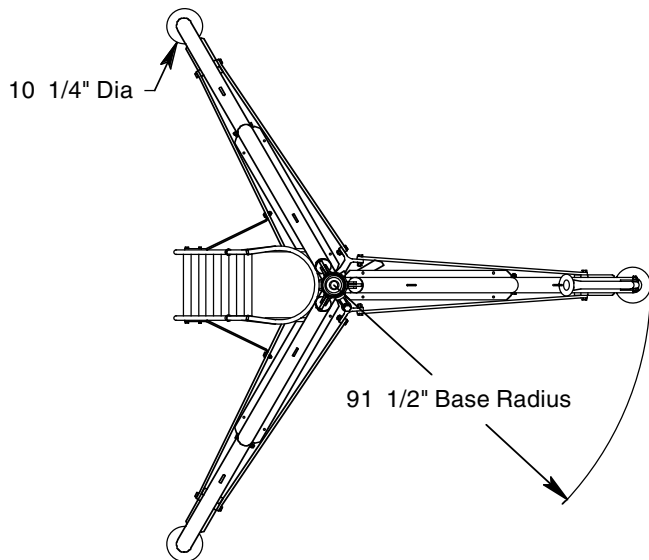


MODEL 8761
10 TON FIXED HEIGHT TRIPOD JACK



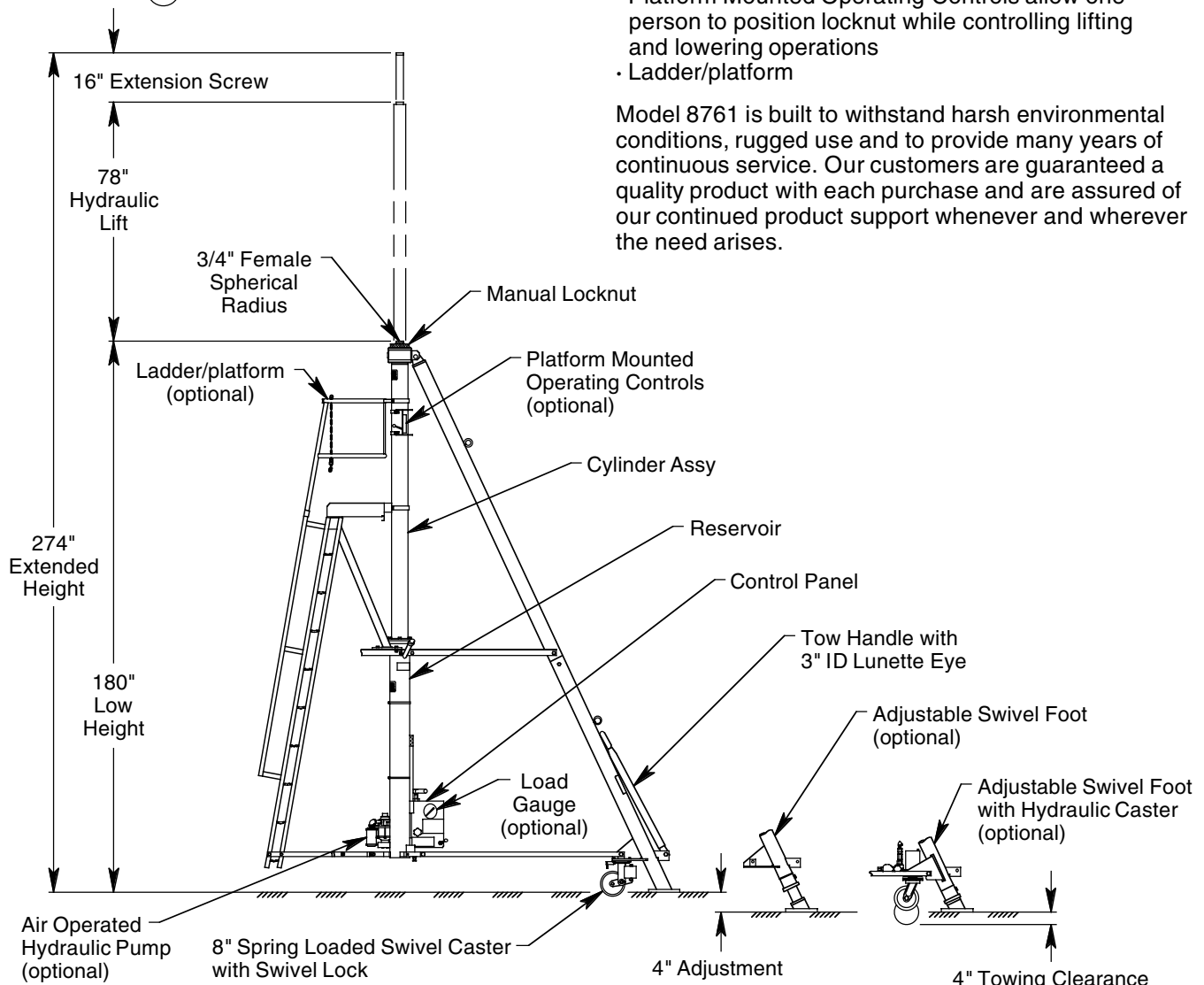
JACK INCLUDES:

- Manual Hand Pump with high, medium and low pressure operating positions
- Heavy Duty Tow Handle and Swivel Casters with Swivel Locks for improved towing
- Rain Hat (covers jack upper head)
- Hard Chrome Plated Cylinder Bore
- All unpainted parts are plated to resist corrosion
- Skydrol Resistant Paint (safety yellow)
- Factory Proof Load @ 150% of rated capacity
- 3 Year Warranty
- Shipping Skid

STANDARD OPTIONS:

- Air Operated Hydraulic Pump
- Load Gauge for load indication (reads tons/psig)
- Adjustable Swivel Feet with Level for leveling jack
- Hydraulic Operated Casters provide ease in jack leveling and increased ground clearance for towing
- Platform Mounted Operating Controls allow one person to position locknut while controlling lifting and lowering operations
- Ladder/platform

Model 8761 is built to withstand harsh environmental conditions, rugged use and to provide many years of continuous service. Our customers are guaranteed a quality product with each purchase and are assured of our continued product support whenever and wherever the need arises.



See Reverse Side for Specifications, Options, Aircraft Applications & Shipping Data

MODEL 8761

10 TON FIXED HEIGHT TRIPOD JACK

SPECIFICATIONS

Rated Capacity: 10 tons (9.1 m. tons)
 Side Load: 15% of vertical load
 Roll Under Height: 181.5 inches (4610 mm)
 Low Height: 180 inches (4572 mm)
 Hydraulic Lift: 78 inches (1981 mm)
 Extension Screw: 16 inches (406 mm)
 Total Extended Height: 274 inches (6960 mm)
 Oil Pressure at Rated Capacity: 1080 psig (76 kg/sq cm)
 Safety Pop-off Valve set at: 11 tons (10.0 m. tons)
 Proof Load: 15 tons (13.6 m. tons)
 Reservoir Capacity: 8.1 gallons (30.7 liters)
 Hydraulic Fluid: MIL-H-5606 or equivalent
 Maximum Towing Speed: 5 mph (8 km/h)
 Approximate Jack Net Weight: 1400 lbs (635 kg)

MODEL 8761 TYPICAL AIRCRAFT APPLICATIONS

Aft Fuselage

A300, A330, A340

OPTIONAL EQUIPMENT CODES: (Specify at time of order)

AP: Air Operated Hydraulic Pump
 GA: Load Gauge
 AF: Adjustable Swivel Foot
 HC: Adjustable Swivel Foot with Hydraulic Caster
 SA: Shock Absorber (requires hydraulic caster)
 LA: Ladder/platform
 RC: Platform Mounted Operating Controls
 SPC: Special Paint Color (yellow is standard)
 8761PK: Repair Kit

PACKAGING CODES & OPTIONS: (Specify at time of order)

KD: Domestic Skid - Jack Knocked Down
 ECKD: Export Crate - Jack Knocked Down (Additional Cost)

SHIPPING DATA

NOTE: Unless otherwise specified, Model 8761 jack is shipped on a wood skid in the knocked down condition. Refer to Malabar Tripod Jack Shipping Supplement for additional packaging information.

Packaging Code	Length inch (mm)	Width inch (mm)	Height inch (mm)	Weight lbs (kg)
KD	199 (5055)	40 (1016)	42 (1067)	1750 (794)
ECKD	201 (5105)	45 (1143)	45 (1143)	2200 (998)