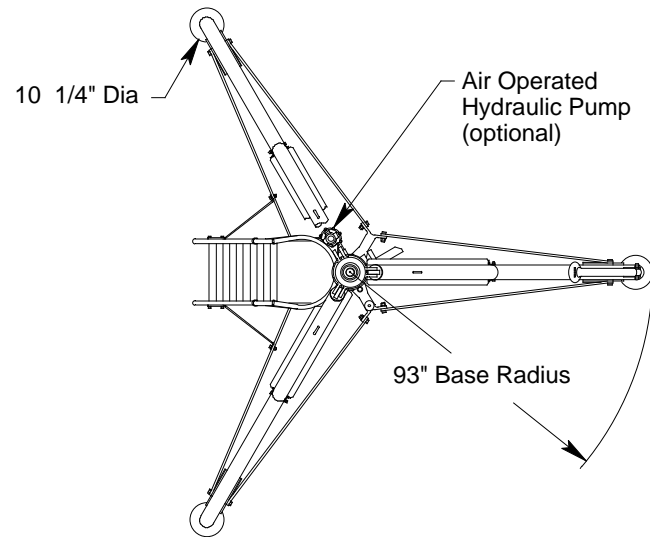


MODEL 8803
15 TON FIXED HEIGHT TRIPOD JACK



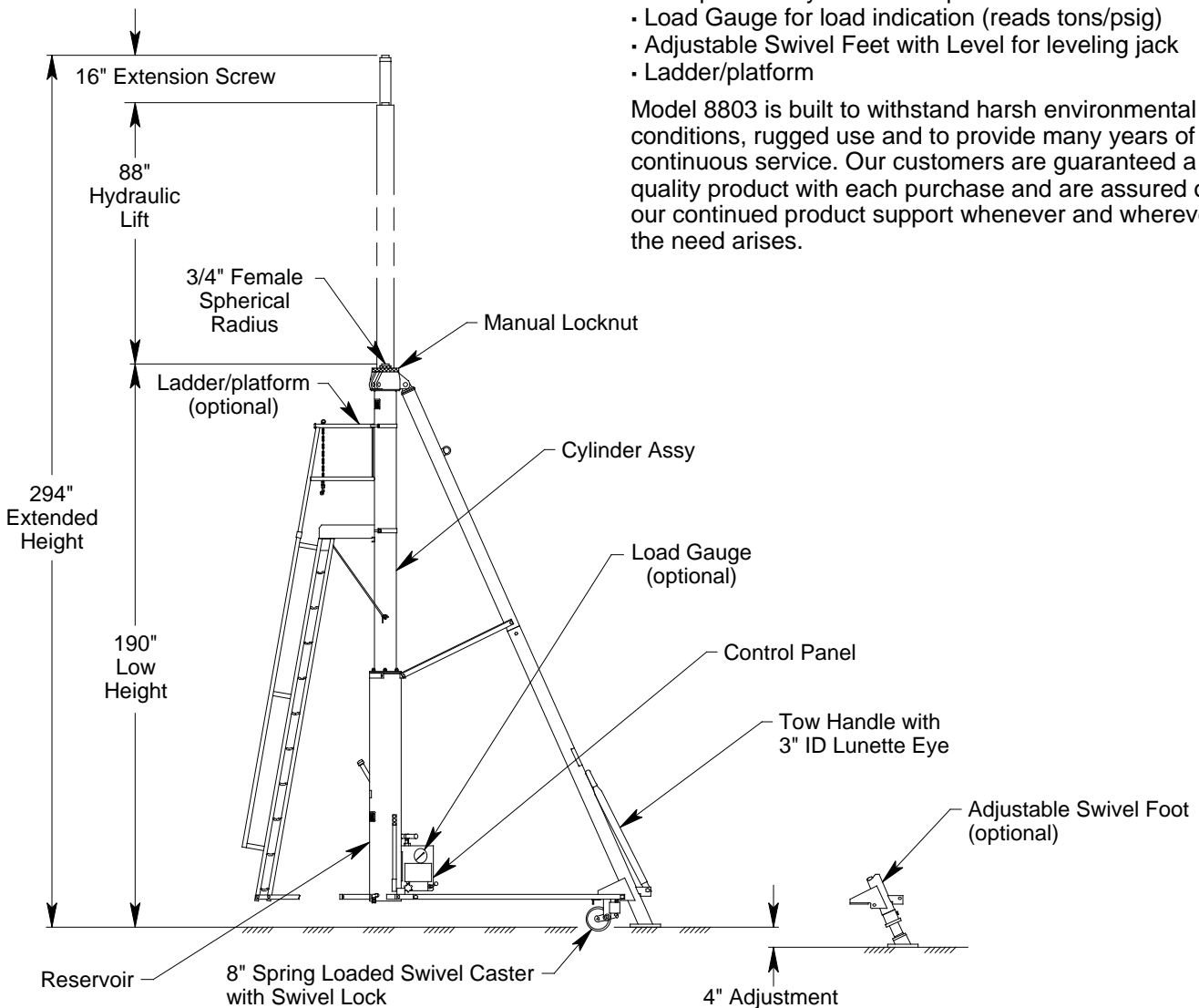
JACK INCLUDES:

- Manual Hand Pump with high, medium and low pressure operating positions
- Heavy Duty Tow Handle and Swivel Casters with Swivel Locks for improved towing
- Hydraulic "Thermal" Relief Valve for added protection and safety in the event of internal fluid expansion due to temperature
- Secondary Cylinder Seal for protection against contaminants and to prolong life of primary seal
- Rain Hat (covers jack upper head)
- Hard Chrome Plated Cylinder Bore
- All unpainted parts are plated to resist corrosion
- Skydrol Resistant Paint (safety yellow)
- Factory Proof Load @ 150% of rated capacity
- 3 Year Warranty
- Shipping Skid

STANDARD OPTIONS:

- Air Operated Hydraulic Pump
- Load Gauge for load indication (reads tons/psig)
- Adjustable Swivel Feet with Level for leveling jack
- Ladder/platform

Model 8803 is built to withstand harsh environmental conditions, rugged use and to provide many years of continuous service. Our customers are guaranteed a quality product with each purchase and are assured of our continued product support whenever and wherever the need arises.



See Reverse Side for Specifications, Options, Aircraft Applications & Shipping Data

MODEL 8803

15 TON FIXED HEIGHT TRIPOD JACK

SPECIFICATIONS

Rated Capacity: 15 tons (13.6 m. tons)
 Side Load: 15% of vertical load
 Roll Under Height: 191.5 inches (4864 mm)
 Low Height: 190 inches (4826 mm)
 Hydraulic Lift: 88 inches (2235 mm)
 Extension Screw: 16 inches (406 mm)
 Total Extended Height: 294 inches (7468 mm)
 Oil Pressure at Rated Capacity: 984 psig (69 kg/sq cm)
 Safety Pop-off Valves
 System Relief Valve set at: 16.5 tons (15.0 m. tons)
 Thermal Relief Valve set at: 18.8 tons (17.1 m. tons)
 Proof Load: 22.5 tons (20.4 m. tons)
 Reservoir Capacity: 14.4 gallons (54.5 liters)
 Hydraulic Fluid: MIL-H-5606 or equivalent
 Maximum Towing Speed: 5 mph (8 km/h)
 Approximate Jack Net Weight: 2900 lbs (1315 kg)

MODEL 8803 TYPICAL AIRCRAFT APPLICATIONS

Wing Tip

B747, B777

OPTIONAL EQUIPMENT CODES: (Specify at time of order)

- AP: Air Operated Hydraulic Pump
- GA: Load Gauge
- AF: Adjustable Swivel Foot
- LA: Ladder/platform
- SPC: Special Paint Color (yellow is standard)
- 8803PK: Repair Kit

PACKAGING CODES & OPTIONS: (Specify at time of order)

- KD: Domestic Skid - Jack Knocked Down
- ECKD: Export Crate - Jack Knocked Down (Additional Cost)

SHIPPING DATA

NOTE: Unless otherwise specified, Model 8803 jack is shipped on a wood skid in the knocked down condition. Refer to Malabar Tripod Jack Shipping Supplement for additional packaging information.

Packaging Code	Length inch (mm)	Width inch (mm)	Height inch (mm)	Weight lbs (kg)
KD	208 (5283)	40 (1016)	44 (1118)	3200 (1452)
ECKD	210 (5334)	45 (1143)	47 (1194)	3600 (1633)